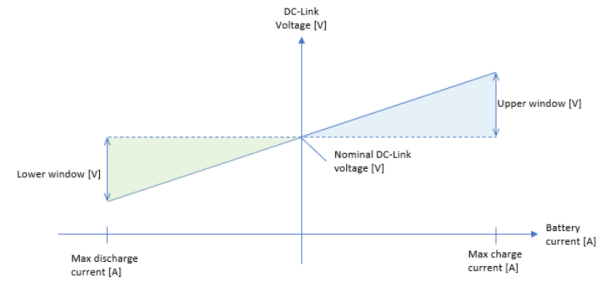
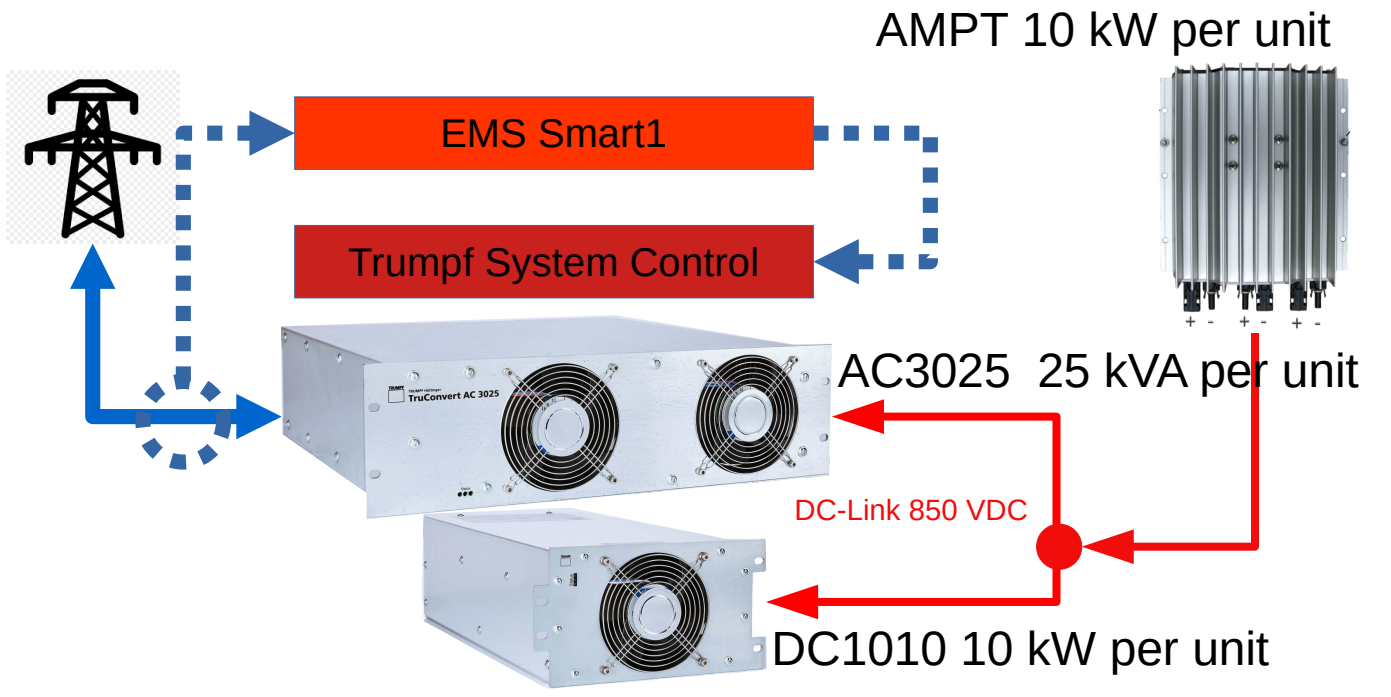
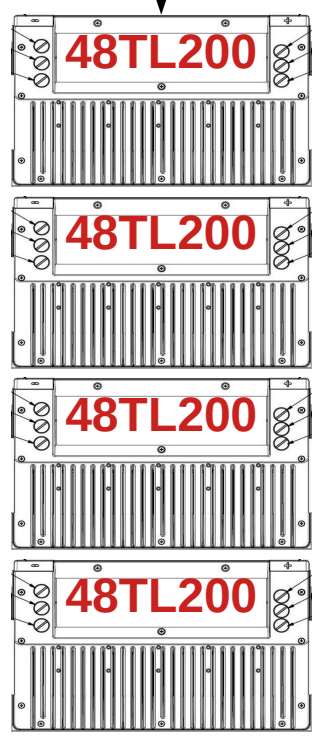


Development SaliMaxx with Trumpf Powerelectronics: Step 1: 48V Saltbattery (48TL200)



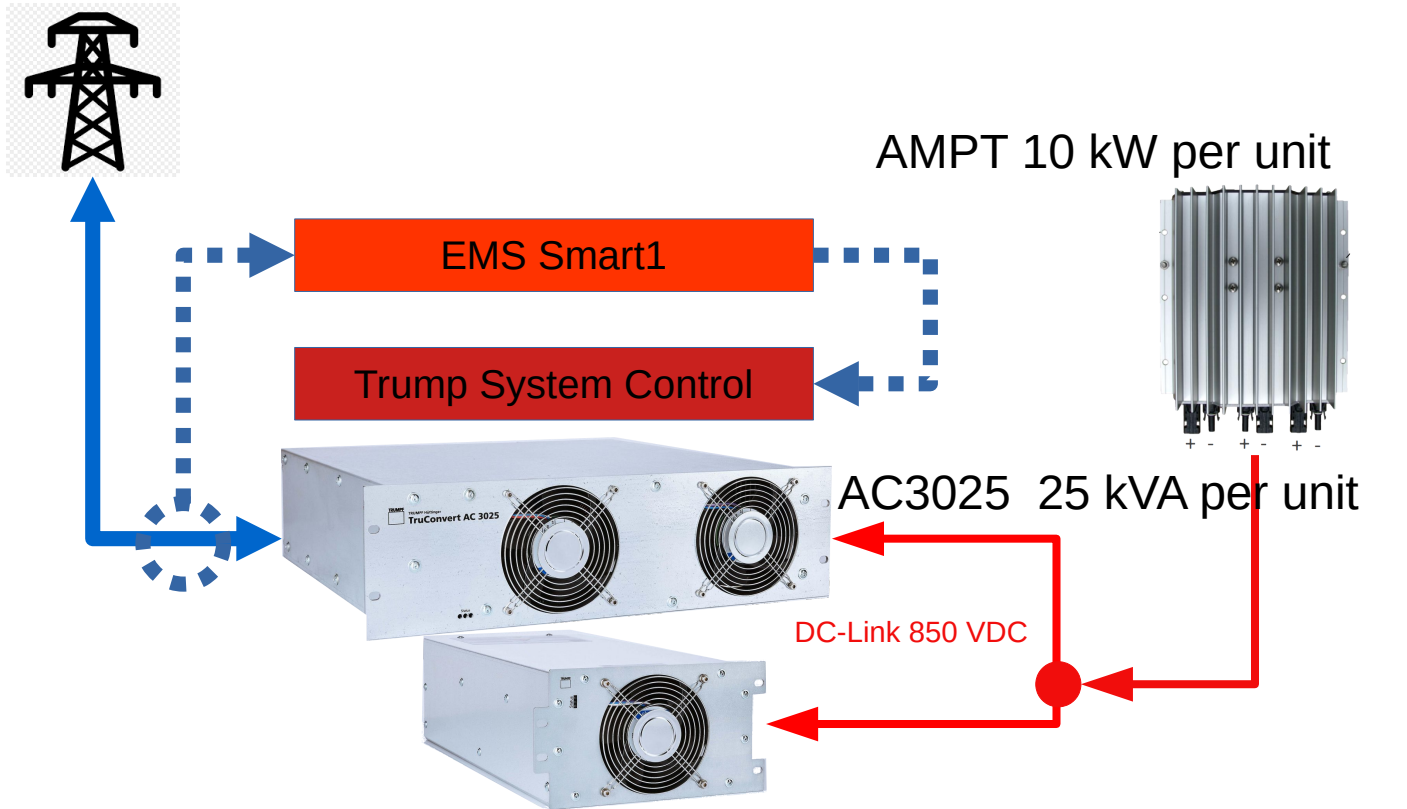
Voltage droop

40 VDC – 58 VDC

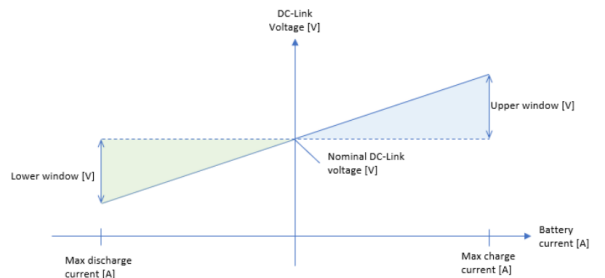


48TL200 / 9.4 kWh per unit
4 units per DC1010
36 kWh

Development SaliMax with Trumpf Powerelectronics: Step 2: 250V Saltbattery (200UP40) → Pretests for DC-DC Battery

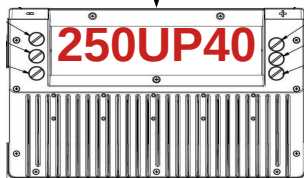


DC1030 15 kW per unit
(75 A @ 200 VDC)

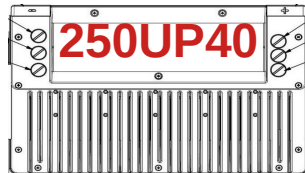
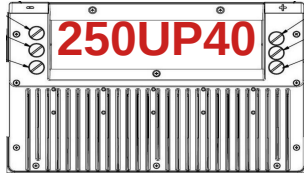
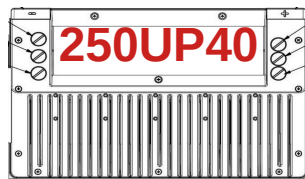
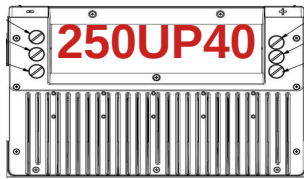


200 VDC – 270 VDC

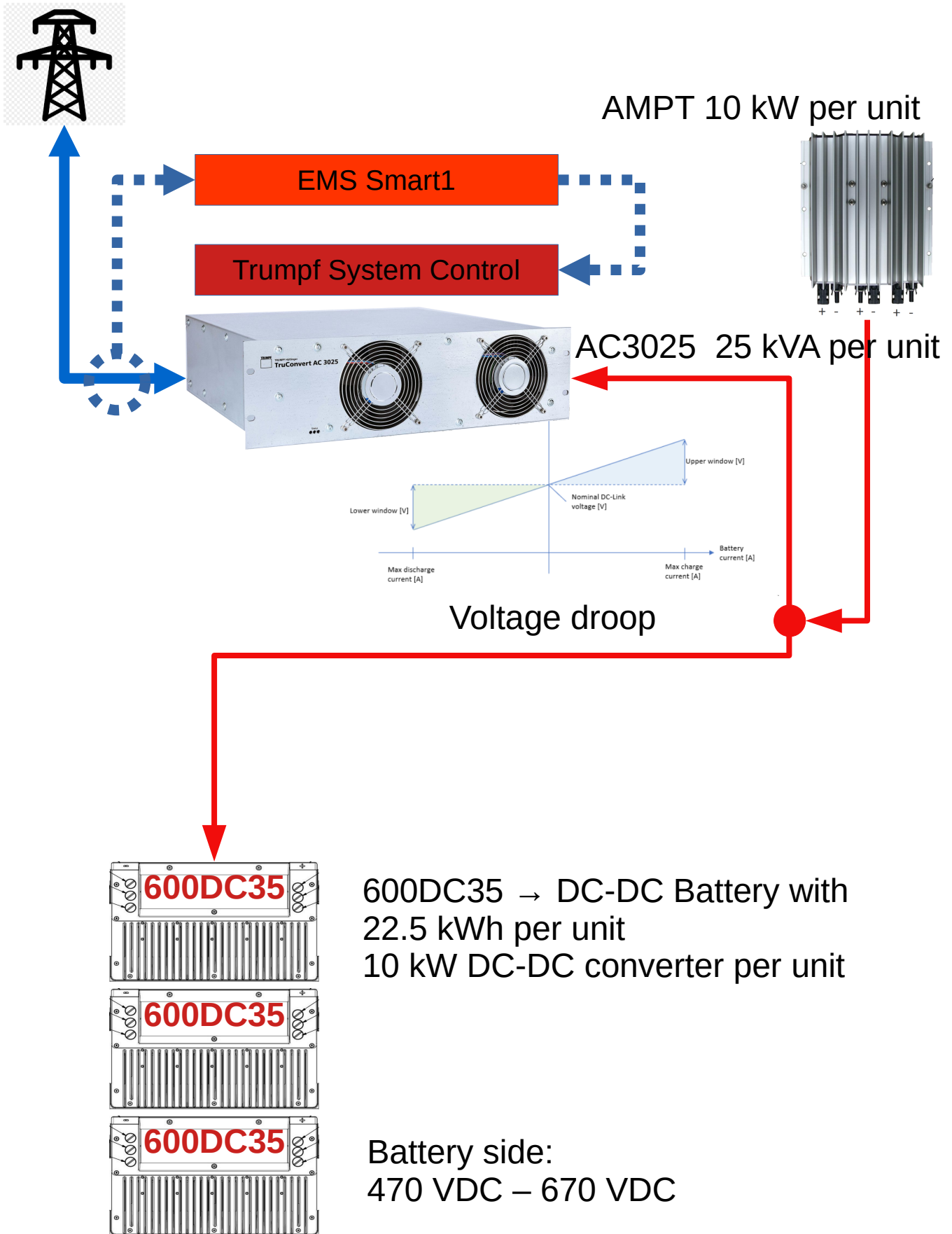
Voltage droop



250UP40 / 9.4 kWh per unit
5 units per DC1030
45 kWh



Development SaliMax with Trumpf Powerelectronics: Step 3: 620 V DC-DC Saltbattery (600DC35)



Development SaliMax with Trumpf Powerelectronics: Step 4: 250V Saltbattery (200UP40) → UPS combined with PV Production

